

Gigabit Fiber Optic Media Converter

DA-MC1101

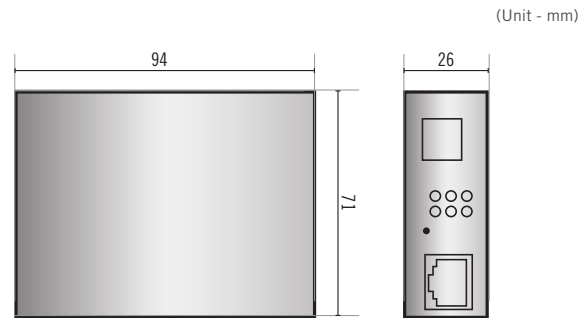
- Supports automatic negotiation feature
- Supports automatic MDI / MDI-X detection
- Supports LED status indicators
- Mode switching using DirectIP switches



SPECIFICATIONS

RJ45 ETHERNET INTERFACE	
Connectivity	RJ45, Auto-MDI / MDI-X Sensing
Wire Type	CAT5 or Better
Distance	Up to 100m
Speed	10/100/1000 BASE-T
SFP SLOT INTERFACE	
Connectivity	SFP Slot
Wire Type	Fiber Optic
Speed	1000 BASE-LX, 1000 BASE-SX
GENERAL	
Dimensions (W x H x D)	71mm x 26mm x 94mm (2.8" x 1.0" x 3.7")
Weight	160g (0.35lb)
Operation Temperature	0°C to + 50°C
Power Input	5V DC 1.6A
Power Consumption	3.4W
Approvals	FCC, CE, KC

DIMENSIONS



SFP Transceiver

FTLF1318P3BTL FTLF8519P3BNL

FTLF1318P3BTL

- Up to 10km on 9/125µm SMF
- Up to 1.25Gbs bi-directional data links
- Hot-pluggable SFP footprint
- 1310nm Fabry-Perot laser transmitter
- Compatibility with DH Series and DA-MC1101

FTLF8519P3BNL

- Up to 500m on 50/125µm MMF, 300m on 62.5/125µm MMF
- Up to 2.125 Gbs bi-directional data links
- Hot-pluggable SFP footprint
- 850nm oxide VCSEL laser transmitter
- Compatibility with DH Series and DA-MC1101



SPECIFICATIONS

FTLF1318P3BTL	
Optical Center Wavelength	1265 to 1600nm
Output Opt. Power	-9.5 to -3dBm
Average RX Sensitivity @ 1.25Gbs	-19
Data Rate	1.062Gbs to 1.25Gbs
FTLF8519P3BNL	
Optical Center Wavelength	830 to 860nm
Output Opt. Power	-9 to -2.5dBm
Average RX Sensitivity @ 2.125Gbs	-17
Data Rate	1.062Gbs, 1.25Gbs, 2.125Gbps
GENERAL	
Dimensions (W x H x D)	13.7mm x 12.4mm x 56.6mm (0.5" x 0.5" x 2.2")
Weight	17.5g (0.04lb)
Operation Temperature	0°C to + 85°C
Approvals	FCC, CE, KC

DIMENSIONS

