

2MP Out-door Fixed Bullet Camera

TC-E1212WR

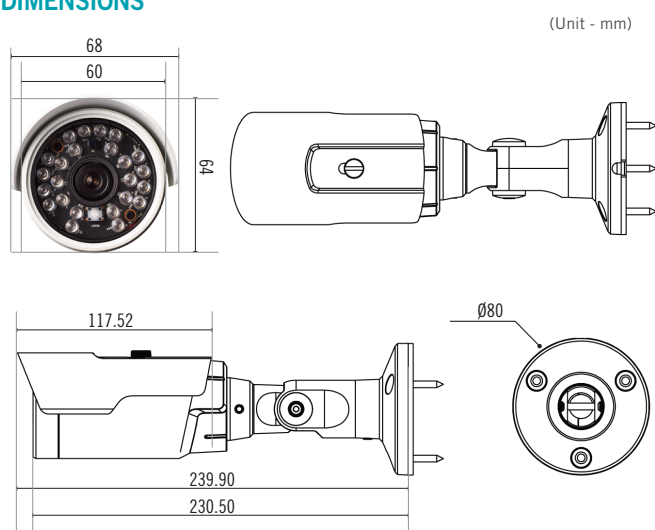
- Full HD (1080p) resolution
- Fixed-focal Lens (f=3.6mm)
- Day&Night (ICR)
- WDR (Wide Dynamic Range: 15fps)
- Motion Detection
- De-fog
- HSBLC
- Vandal Proof / IP66 supports
- Coaxial OSD Control



SPECIFICATIONS

VIDEO	
Image Sensor	1/2.8" SONY 2Mega Exmor CMOS Sensor
Effective pixels	1984(H) X 1105(V), 2.19M Pixels
Total pixels	2000(H) X 1121(V), 2.24M Pixels
Max. Resolution	1920 X 1080
Scanning Mode	Progressive Scan
Lens Type	Fixed-focal
Focal Length	f = 3.6mm
IRIS Control	Fixed Iris
Angular Field of View	92.6°(H), 54.6°(V), 120.0°(D) COLOR : 0.9 Lux @ F1.8
Min. illumination	B/W : 0 Lux (IR LED ON)
S/N Ratio	More than 50dB
Electronic Shutter Speed	AUTO / Manual(1/30,1/25Sec ~ 1/30000Sec) / FLICKER
Day/Night	YES(ICR)
IR Distance (LEDs)	10m (24ea)
Video Out	1 HD BNC , 1 SD BNC
FUNCTION	
AGC	0 ~ 20 Level Adjustable
Brightness	0 ~ 20 Level Adjustable
Sens-UP	OFF / x2 ~ x32
WDR(Wide Dynamic Range)	OFF / ON (Low,Middle,High / 15 Frame)
Backlight Compensation(BLC)	OFF/ON
HSBLC	1 ~ 20 Level Adjustable(ALL DAY/NIGHT ONLY)
ACE(D-WDR/ATR-EX)	OFF/LOW/MIDDLE/HIGH
Motion Detection	OFF/ON (4 Zone)
Privacy Masking	OFF/ON (16 Zone)
Day & Night	Auto(AGC)/Color/B&W/EXTERN
Smart -IR(IR OPTIMIZER)	0~20 Level Adjustable
White Balance	AUTO(2,500K ~ 9,500K) / AWB(1,800K ~ 10,500K) / AWC→Set / Manual
Digital Noise Reduction	2D+3DNR(OFF/LOW/MIDDLE/HIGH)
Mirror	MIRROR,V-FLIP
D-ZOOM(EZOOM)	X1 ~ X8
Sharpness	0~20 Level Adjustable
De-fog	OFF/ON
GAMMA Correction	r = 0.45 ~ 0.65
Lens Shading(LSC)	OFF/ON
ENVIRONMENTAL	
Out-door Ready	IP66
Storage Temperature	-20°C~ +60°C(-4°F~ +140°F) (Humidity : 0% ~ 95%)
Operating Temperature	-10°C~ +50°C(14°F~ +122°F) (Humidity : 0% ~ 90%)
ELECTRICAL	
Power Source	DC 12V
Power Consumption	6W
MECHANICAL	
Dimensions (W x H x D)	68mm x 65.5mm x 136.7mm (2.68" x 5.58" x 5.39")

DIMENSIONS



2MP Out-door Vari-focal Bullet Camera

TC-T1222WR

- Full HD (1080p) resolution
- Vari-focal Lens (f=2.8mm ~ 12mm)
- Day&Night (ICR)
- WDR (Wide Dynamic Range: 15fps)
- Motion Detection
- De-fog
- HSBLC
- Vandal Proof / IP66 supports
- Coaxial OSD Control

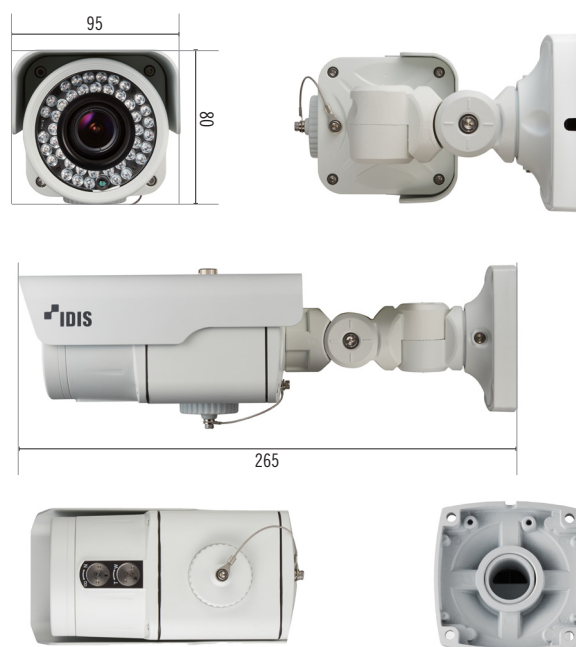


SPECIFICATIONS

VIDEO	
Image Sensor	1/2.8" SONY 2Mega Exmor CMOS Sensor
Effective pixels	1984(H) X 1105(V), 2.19M Pixels
Total pixels	2000(H) X 1121(V), 2.24M Pixels
Max. Resolution	1920 X 1080
Scanning Mode	Progressive Scan
Lens Type	Vari-focal
Focal Length	f = 2.8mm ~ 12mm
IRIS Control	DC Auto Iris
Angular Field of View	Wide : 120.9°(H), 61.4°(V), 149.6°(D) Tele : 37.1°(H), 20.7°(V), 42.7°(D)
Min. illumination	COLOR : 0.9 Lux @ F1.8 B/W : 0 Lux (IR LED ON)
S/N Ratio	More than 50dB
Electronic Shutter Speed	AUTO / Manual(1/30,1/25Sec ~ 1/30000Sec) / FLICKER
Day/Night	YES(ICR)
IR Distance (LEDs)	30m (42ea)
Video Out	1 HD BNC , 1 SD BNC
FUNCTION	
AGC	0 ~ 20 Level Adjustable
Brightness	0 ~ 20 Level Adjustable
Sens-UP	OFF / x2 ~ x32
WDR(Wide Dynamic Range)	OFF / ON (Low,Middle,High / 15 Frame)
Backlight Compensation(BLC)	OFF/ON
HSBLC	1 ~ 20 Level Adjustable(ALL DAY/NIGHT ONLY)
ACE(D-WDR/ATR-EX)	OFF/LOW/MIDDLE/HIGH
Motion Detection	OFF/ON (4 Zone)
Privacy Masking	OFF/ON (16 Zone)
Day & Night	Auto(AGC)/Color/B&W/EXTERN
Smart-IR(IR OPTIMIZER)	0~20 Level Adjustable
White Balance	AUTO(2,500K ~ 9,500K) / AWB(1,800K ~ 10,500K) / AWC--Set / Manual
Digital Noise Reduction	2D+3DNR(OFF/LOW/MIDDLE/HIGH)
Mirror	MIRROR,V-FLIP
D-ZOOM(EZOOM)	X1 ~ X8
Sharpness	0~20 Level Adjustable
De-fog	OFF/ON
GAMMA Correction	r = 0.45 ~ 0.65
Lens Shading(LSC)	OFF/ON
ENVIRONMENTAL	
Out-door Ready	IP66
Storage Temperature	-20°C~ +60°C(-4°F~ +140°F) (Humidity : 0% ~ 95%)
Operating Temperature	-10°C~ +50°C(14°F~ +122°F) (Humidity : 0% ~ 90%)
ELECTRICAL	
Power Source	12VDC
Power Consumption	7.2W
MECHANICAL	
Dimensions (W x H x D)	95mm x 80mm x 265mm (3.75" x 3.15" x 10.44")

DIMENSIONS

(Unit - mm)



ACCESSORIES(OPTIONAL)



ACCESSORIES CONFIGURATION TREE

