

SM-F211

- Full HD resolution (1920 x 1080)
- 40% Lower Power Consumption
- VESA-compliant mounting
- Lifetime up to 50,000 hours
- Low power consumption
- HDMI / VGA / DVI
- Built-in Speakers

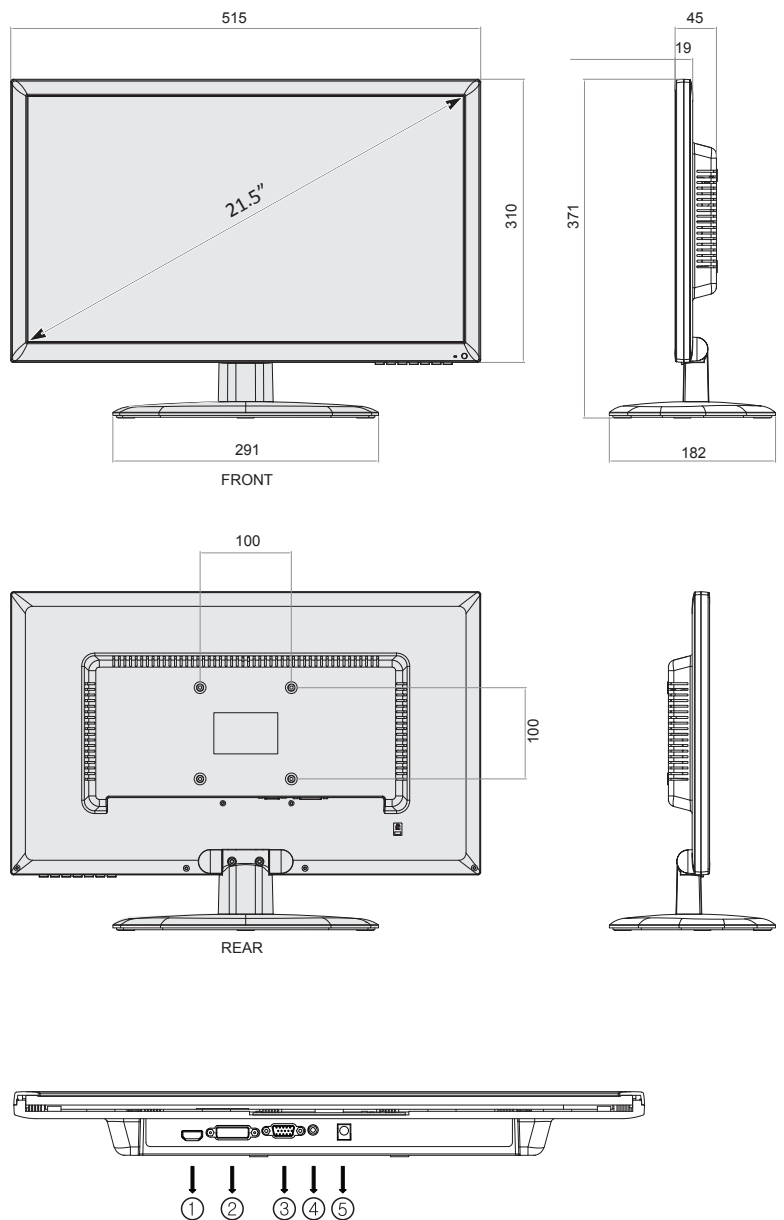


SPECIFICATIONS

PANEL	
Screen Size	21.5 Inch
Active Display Area	476.64mm (H) x 268.11mm (V)
Max. Resolution	1920 x 1080 @ 60Hz
Panel Technology	TN LCD Panel
Anti-glare	Yes
Pixel Pitch	0.24825mm (H) x 0.24825mm (V)
Brightness	250cd/m ² (Typical)
Contrast Ratio	1000:1
Aspect Ratio	16:9
Viewing Angle (H / V)	170° / 160°
Display Color	16.7 Million
Response Time	< 5ms
Refresh Rate	60Hz
INTERFACE	
HDMI In	1
Display Port	-
VGA In	1
DVI In	-
Audio Input	1
Audio Output	-
BNC Video In (Optional)	1
BNC Video Out	1
S-Video In / Out	-
Component Y / Pb / Pr In	-
RS232	-
GENERAL	
Outline Dimensions (W x H x D)	515.1mm x 371.1mm x 45.0mm (20.28" x 14.61" x 1.77")
Bezel	-
Net Weight	3.67kg (8.1lb)
Material / Color	Plastic / Black
Warranty - Parts / Labor	3 Year / 3 Year
MTBF	50,000 Hours / Panel (30,000 Hours)
Power Supply	DC 12V, 2.1A (AC100 ~ 240V [50/60Hz])
Power Consumption	25.2W
Power Savings (DPMS)	Yes
Operating Temperature	0°C ~ 40°C (32°F ~ 104°F)
Storage Temperature	-20°C ~ 60°C (-4°F ~ 140°F)
Built-in Speakers	Yes (2W x 2)
Remote Control	No
VESA Mount Size	100mm x 100mm / M4 x 10 Screws
EXTERNAL CONTROLS	
IR Sensor (For Remote Control)	-
Serial In / Out	-
USB	-

DIMENSIONS

(Unit - mm)



1. HDMI
2. DVI
3. VGA
4. AUDIO IN
5. DC12V IN

23" Full HD LCD Monitor

SM-F231

- Full HD resolution (1920 x 1080)
- 40% Lower Power Consumption
- VESA-compliant mounting
- Lifetime up to 50,000 hours
- Low power consumption
- HDMI / VGA / DVI
- Built-in Speakers

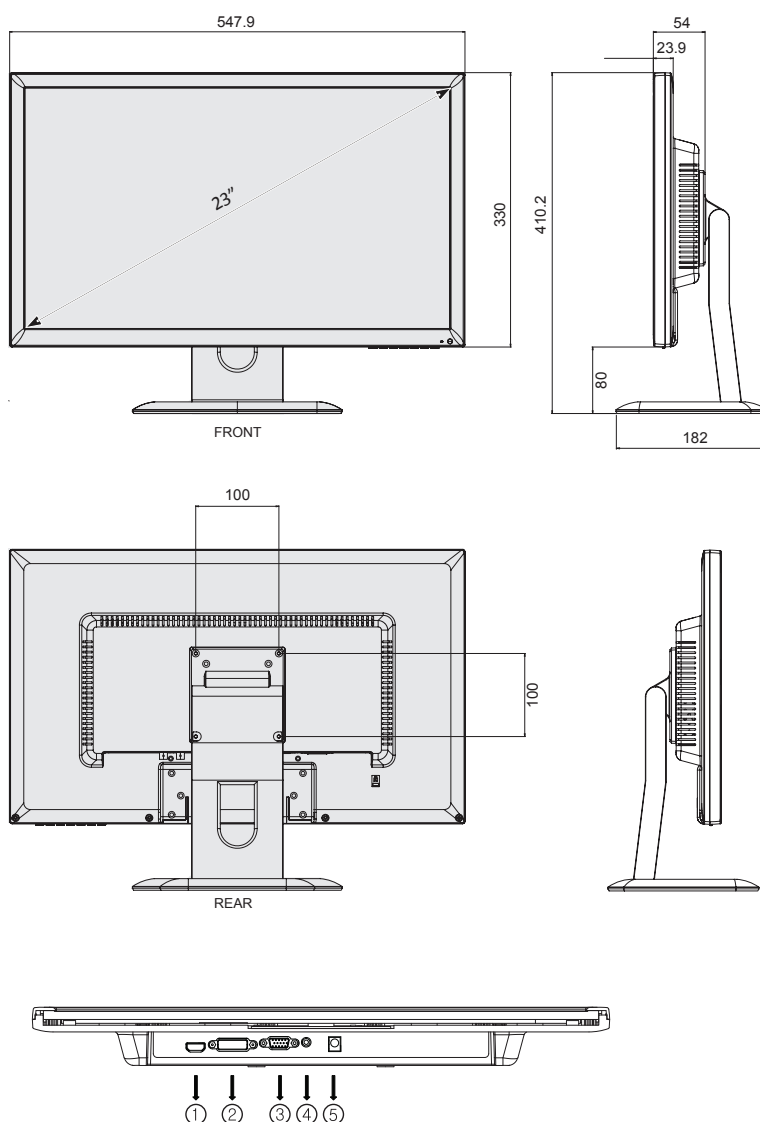


SPECIFICATIONS

PANEL	
Screen Size	23 Inch
Active Display Area	509.76mm (H) x 286.74mm (V)
Max. Resolution	1920 x 1080 @ 60Hz
Panel Technology	TN LCD Panel
Anti-glare	Yes
Pixel Pitch	0.2655mm (H) x 0.2655mm (V)
Brightness	250cd/m ² (Typical)
Contrast Ratio	1000:1
Aspect Ratio	16:9
Viewing Angle (H / V)	170° / 160°
Display Color	16.7 Million
Response Time	< 5ms
Refresh Rate	60Hz
INTERFACE	
HDMI In	1
Display Port	-
VGA In	1
DVI In	-
Audio Input	1
Audio Output	-
BNC Video In (Optional)	1
BNC Video Out	1
S-Video In / Out	-
Component Y / Pb / Pr In	-
RS232	-
GENERAL	
Outline Dimensions (W x H x D)	547.9mm x 410.2mm x 62.23mm (21.57" x 16.15" x 2.45")
Bezel	-
Net Weight	4.56kg (10.05lb)
Material / Color	Plastic / Black
Warranty - Parts / Labor	3 Year / 3 Year
MTBF	50,000 Hours / Panel (30,000 Hours)
Power Supply	DC12V, 2.0A (AC100 ~ 240V [50/60Hz])
Power Consumption	24W
Power Savings (DPMS)	Yes
Operating Temperature	0°C ~ 40°C (32°F ~ 104°F)
Storage Temperature	-20°C ~ 60°C (-4°F ~ 140°F)
Built-in Speakers	Yes (2W x 2)
Remote Control	No
VESA Mount Size	100mm x 100mm / M4 x 10 Screws
EXTERNAL CONTROLS	
IR Sensor (For Remote Control)	-
Serial In / Out	-
USB	-

DIMENSIONS

(Unit - mm)



1. HDMI
2. DVI
3. VGA
4. AUDIO IN
5. DC12V IN

SM-F321

- Full HD resolution (1920 x 1080)
- VESA-compliant mounting
- Lifetime up to 50,000 hours
- HDMI / VGA / DVI / BNC
- 3D Comb-filter, De-interlace, Built-in Speakers
- Image Rotation Feature Prevents "Burn-In"

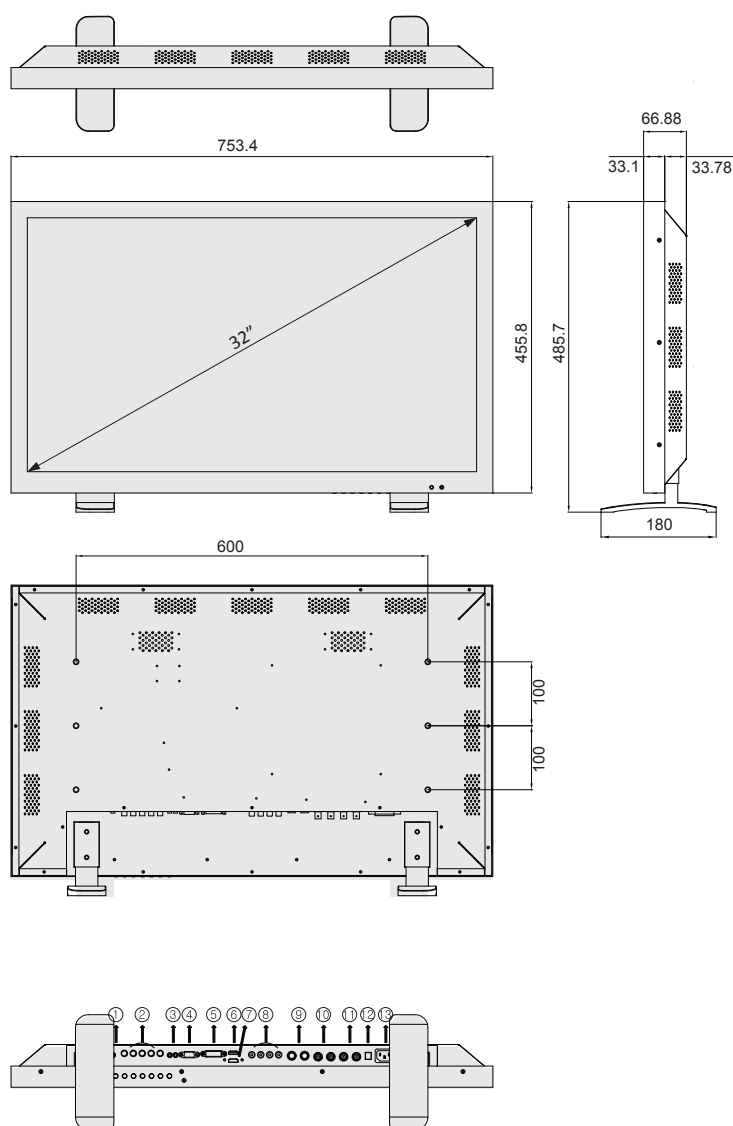


SPECIFICATIONS

PANEL	
Screen Size	32 Inch
Active Display Area	698.4mm (H) x 392.85mm (V)
Max. Resolution	1920 x 1080 @ 60Hz
Panel Technology	IPS (In-plane Switching)
Anti-glare	Yes
Pixel Pitch	0.36375mm (H) x 0.36375mm (V)
Brightness	350cd/m ² (Typical)
Contrast Ratio	3000:1
Aspect Ratio	16:9
Viewing Angle (H / V)	178° / 178°
Display Color	16.7 Million
Response Time	< 6.5ms
Refresh Rate	60Hz
INTERFACE	
HDMI In	2
Display Port	-
VGA In	1
DVI In	1
Audio Input	Component 1 (L) / 1 (R) AV (Composite) 2 (L) / 2 (R)
Audio Output	1
BNC Video In (Optional)	2
BNC Video Out	2
S-Video In / Out	1/1
Component Y / Pb / Pr In	1
RS232	-
GENERAL	
Outline Dimensions (W x H x D)	753.4mm x 485.7mm x 180mm (29.66" x 19.12" x 7.09")
Bezel	-
Net Weight	13kg (28.66lb)
Material / Color	Metal / Black
Warranty - Parts / Labor	3 Year / 3 Year
MTBF	50,000 Hours / Panel (30,000 Hours)
Power Supply	AC100 ~ 240V (50/60Hz)
Power Consumption	55W
Power Savings (DPMS)	Yes
Operating Temperature	0°C ~ 40°C (32°F ~ 104°F)
Storage Temperature	-20°C ~ 60°C (-4 ~ 140°F)
Built-in Speakers	Yes (2W x 2)
Remote Control	Yes
VESA Mount Size	200mm x 200mm / 4 x (M6 x 8) Screws
EXTERNAL CONTROLS	
IR Sensor (For Remote Control)	Built-in
Serial In / Out	-
USB	-

DIMENSIONS

(Unit - mm)



1. TRIGGER IN
2. COMPONENT IN
3. PC STEREO IN/SPEAK OUT
4. VGA
5. DVI
6. HDMI1 IN
7. HDMI2 IN
8. AV(composite) SOUND L/R X2
9. S-VIDEO IN/OUT
10. AV(composite)2 IN/OUT
11. AV(composite)1 IN/OUT
12. CAM OUT
13. AC 110V IN

42" Full HD LCD Monitor

SM-F421

- Full HD resolution (1920 x 1080)
- 40% Lower Power Consumption
- VESA-compliant mounting
- Lifetime up to 50,000 hours
- Low power consumption
- HDMI / VGA / DVI
- Built-in Speakers



SPECIFICATIONS

PANEL	
Screen Size	42 Inch
Active Display Area	930.24mm (H) x 523.26mm (V)
Max. Resolution	1920 x 1080 @ 60Hz
Panel Technology	IPS (In-plane Switching)
Anti-glare	Yes
Pixel Pitch	0.4845mm (H) x 0.4845mm (V)
Brightness	350cd/m ² (Typical)
Contrast Ratio	3000:1
Aspect Ratio	16:9
Viewing Angle (H / V)	178° / 178°
Display Color	16.7 Million
Response Time	< 6.5ms
Refresh Rate	60Hz
INTERFACE	
HDMI In	2
Display Port	No
VGA In	1
DVI In	1
Audio Input	Component 1 (L) / 1 (R) AV (Composite) 2 (L) / 2 (R)
Audio Output	1
BNC Video In (Optional)	2
BNC Video Out	2
S-Video In / Out	1/1
Component Y / Pb / Pr In	1
RS232	No
GENERAL	
Outline Dimensions (W x H x D)	986.4mm x 617.7mm x 180mm (38.83" x 24.31" x 7.09")
Bezel	-
Net Weight	13kg (28.66lb)
Material / Color	Metal / Black
Warranty - Parts / Labor	3 Year / 3 Year
MTBF	50,000 Hours / Panel (30,000 Hours)
Power Supply	AC100 ~ 240V (50/60Hz)
Power Consumption	55W
Power Savings (DPMS)	Yes
Operating Temperature	0°C ~ 40°C (32°F ~ 104°F)
Storage Temperature	-20°C ~ 60°C (-4 ~ 140°F)
Built-in Speakers	Yes (2W x 2)
Remote Control	Yes
VESA Mount Size	200mm x 200mm / 4 x (M6 x 8) Screws
EXTERNAL CONTROLS	
IR Sensor (For Remote Control)	Built-in
Serial In / Out	No
USB	No

DIMENSIONS

(Unit - mm)

