



For rapid separation of persons

For access control, steering visitors, and passage into secured areas – MPR retractable gates are the ideal solution for the rapid separation of persons when low-to-medium security is required. Variants with enlarged passage widths also make the MPR suitable for wheelchairs, prams, and the transport of materials. The variety of modules allows rapid adaptation to spatial conditions, user numbers and many other requirements. Passage takes place without contact. Photoelectric switches detect users and open the wings before they come into contact with them. The barriers close automatically after passage.

Wing elements made of a PU foam-coated aluminium construction and sensitive impact detection ensure maximum personal safety. In addition, the photoelectric switches contribute towards security: they register the passage of persons attempting to follow through, passage in the wrong direction, or the lack of authorisation and trigger an alarm.

The retractable gates can be used bi-directionally and can be regulated with all common access control systems. The barrier elements are available with PU foam or acrylic glass.



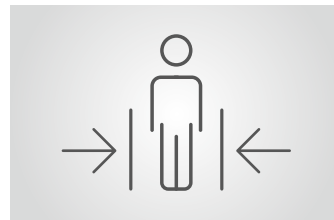
Rapid separation of persons

The short opening times of 0.3 seconds make MPR retractable gates suitable for rapid separation of persons in areas with low-to-medium security requirements.



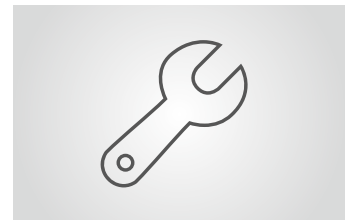
Innovative drive technology

The MHTM™ drive unit is maintenance-free, energy-efficient and quiet. Sensitive impact detection ensures maximum personal safety.



Reliable processes

Photoelectric switches in the passage reliably detect persons and objects. They enable non-contact passage and trigger an alarm in the case of improper use.



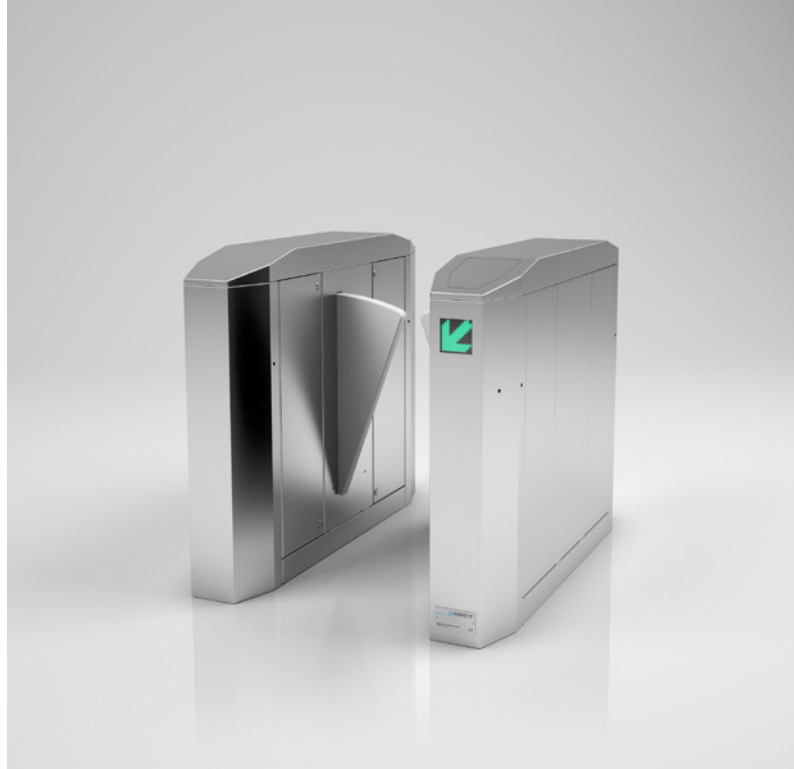
Easily accessible components

All the control and drive components necessary for operation are accommodated in the lockable central segment – considerably simplifying commissioning and maintenance.

MPR

Retractable gates

- > Short opening times of 0.3 seconds for a high throughflow frequency
- > Comfortable non-contact passage
- > Space-saving installation of multiple applications
- > Simple integration of all common access control systems
- > Automatic opening if power fails
- > Wide variants suitable for wheelchairs, prams, and material transport
- > Designed for 10 million opening and closing actions

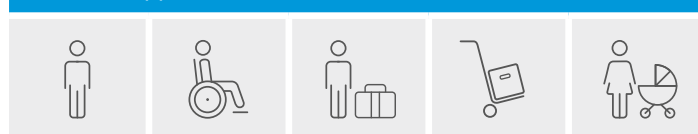


Technical data	MPR 112 (Standard)	MPR 112 (Wide Lane)
Passage width	520 mm	960 – 990 mm
Opening/closing time with PU foam	0.3 s	0.6 s
Opening/closing time with acrylic glass	0.35 s	–
Drive technology	MHTM™	MHTM™
Voltage	110 – 240 VAC, 50/60 Hz	110 – 240 VAC, 50/60 Hz
Power consumption	Maximum 35 W	Maximum 117 W
Duty cycle	100 %	100 %
Housing dimensions (L x W x H)	1300 x 250 x 1035 mm	1300 x 280 x 1035 mm
Enclosure rating	IP 32	IP 32
Temperature range	0 to +45° C	0 to +45° C

Options

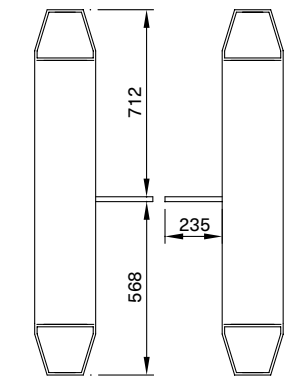
Materials	Chrome-plated steel, stainless steel V2A
Barrier elements	Fireproof PU foam, acrylic glass (only for the standard width)
Attachments	Customer-specific access control systems

Potential applications

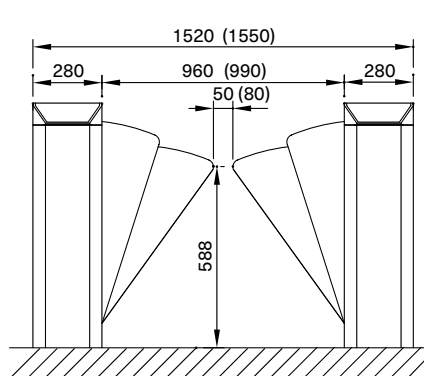
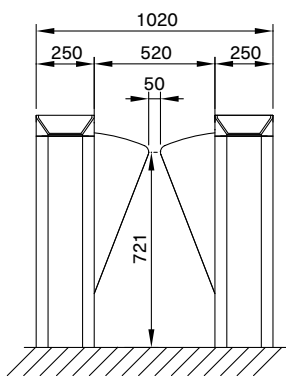
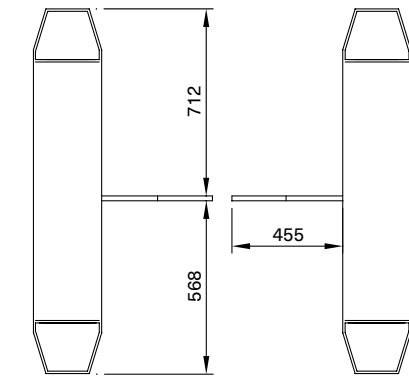


Dimensional Drawings

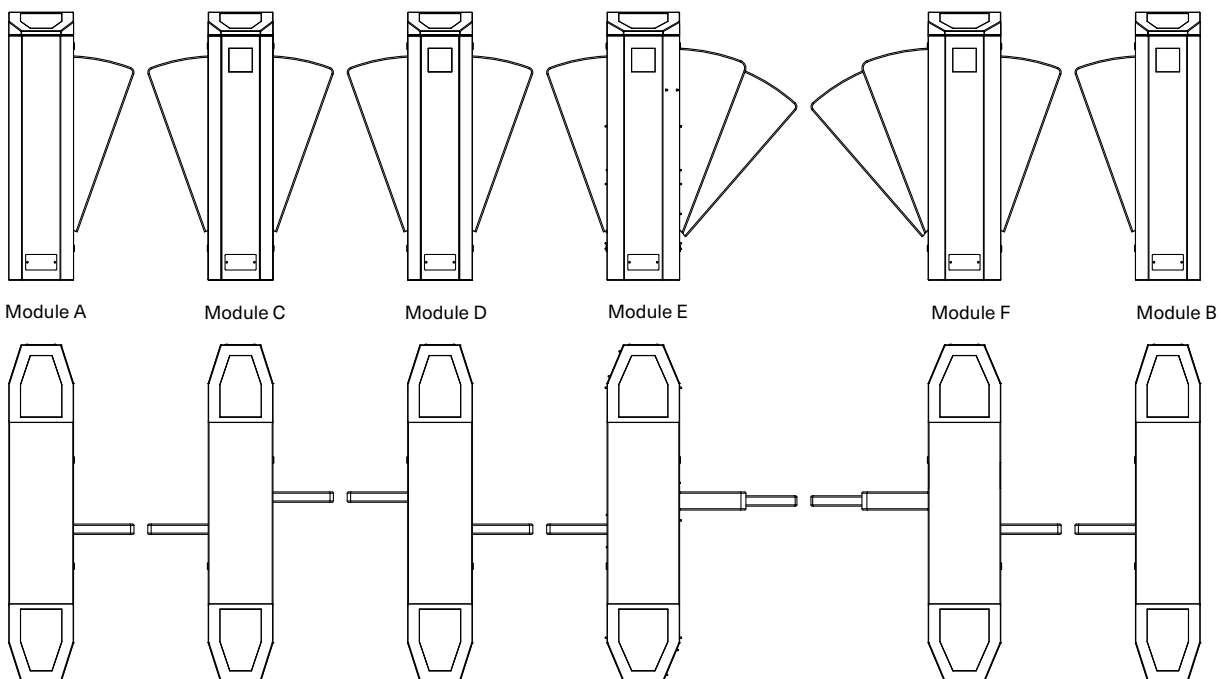
MPR 112 (Standard)
with 520 mm passage width



MPR 112 (Wide Lane)
with 960–990 mm passage width

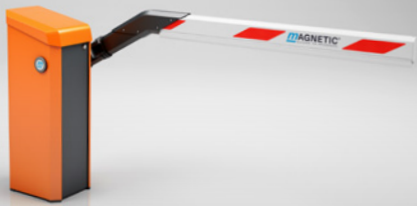


Line configuration with combinable modules



Access to Progress

Magnetic stands for pioneering products – in every way. Our access control systems for vehicles or pedestrians clear the way for thousands of people every day – at car parks, toll gates, stations, airports and in buildings. Our technology is also pioneering, however: with innovative drives, intelligent control systems and well thought-out details it provides maximum safety and longevity. Are you also on the path to Magnetic?



Vehicle barriers

Access barriers
Parking barriers
Toll barriers
Special barriers



Pedestrian gates

Turnstiles
Swing gates
Tripod gates
Retractable gates
Wing gates



Terminals

Cars
Trucks

Germany
MAGNETIC AUTOCONTROL GMBH
Grienmatt 20
79650 Schopfheim
Phone +49 7622 695-5
Fax +49 7622 695-800
E-mail info@magnetic-germany.com

Australia
MAGNETIC AUTOMATION PTY LTD
38 Metrolink Circuit
Campbellfield, VIC 3061
Phone +61 3 9339 2900
E-mail info@magnetic-oz.com

Brazil
MAGNETIC AUTOCONTROL LTDA
Av. Salim Antônio Curiati, 136
04690-050 – São Paulo
Phone +55 11 5660 8500
E-mail info@magnetic-br.com

China
MAGNETIC CONTROL SYSTEMS CO., LTD
No. 3 Building, No. 51
Lane 1159, Kang Qiao (East) Road
Kang Qiao Industrial Zone, Shanghai
Phone +86 21 68182970
E-mail info@magnetic-cn.com

France
FAAC FRANCE
377 Rue Ferdinand Perrier
69808 St Priest Cedex
Phone +33 4 72 21 86 89
E-mail info@magnetic-fr.com

India
MAGNETIC AUTOCONTROL PVT LTD.
PRS Centre
Plot No. 373 to 376, 2nd Floor (West Wing)
1st Cross Street, Nehru Nagar
Old Mahabalipuram Road
Kottivakkam (Opp Rayala Technopark, Perungudi)
Chennai 600041
Phone +91 44 421 23297
E-mail info@magnetic-india.com

Middle East
FAAC MIDDLE EAST FZE
Dubai Silicon Oasis
PO Box 54886
Dubai
United Arab Emirates
Phone +971 4 3724193
E-mail info@magnetic-uae.com

N. and S. America (excl. Brazil)
FAAC INTERNATIONAL, INC
3160 Murell Road
Rockledge, FL 32955
USA
Phone +1 321 635 8585
E-mail info@magnetic-usa.com

Scandinavia
FAAC NORDIC AB
Box 125
284 22 Perstorp
Sweden
Phone +46 435 77 95 03
E-mail info@magnetic-nordic.com

Southeast Asia
MAGNETIC CONTROL SYSTEMS SDN. BHD
No. 17, Jalan Anggerik Mokara 31/54
Taman Perindustrian Kota Kemuning
40460 Shah Alam
Selangor Darul Ehsan
Malaysia
Phone +60 3 5123 0033
E-mail info@magnetic-malaysia.com