

# FLB100 series

## Pedestrian Automatic Flap Barrier



Date: April 2012, Revision: V1

### General Description

MAG FLB101 and FLB102 is brand new product of MAG. Flap barrier, as the upgraded version of the tripod turnstile and swing barrier, is a hi-tech product for pedestrian access control.

Flap barrier is the combination of machinery, electronic, CPU control and variety of personal authentication identification technology. IC card, ID card, code bar, and fingerprint identification unit are compatible with the flap barrier.

Flap barrier motor can be classified into single motor and double motors. The single one is used for single lane and the double one is used for multi-lanes.

### Application

MAG FLB101 and FLB102 are suitable for indoor application only. It is **NOT** suitable to be installed outdoor or near sea side. Precise craftsmanship, comprehensive functions and high technology. FLB101 and FLB102 always install in high class communities, intelligent buildings, hotels, subway stations and other high level venues.

### Features

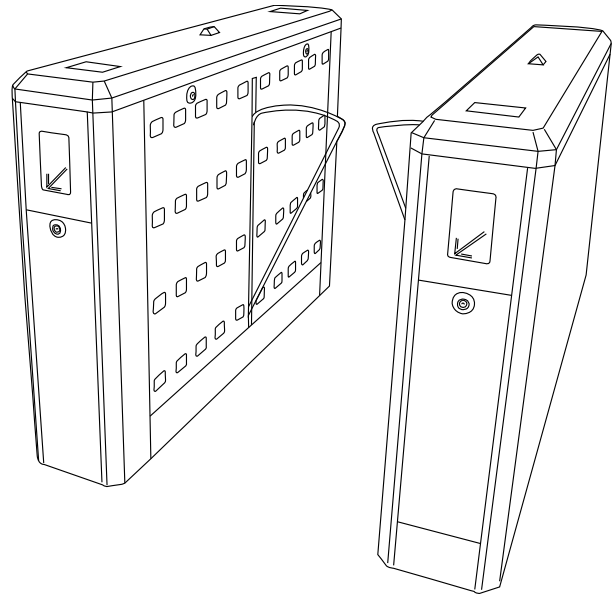
MAG FLB101 and FLB102 adopt the integration of machinery and electronic structure, with special drive style, stable and reliable machinery auto locking solution, precise worm gear, and cabinet composite structure.

Infrared photocells to detect abnormal access, and flap system will stay locked if not receiving authorized signal. Auto-alarm will activate for unauthorized access.

Auto-reversing function. Flap gate will auto reverse when meeting exterior force to protect motor and also minimize the damage dealt to user.

Time-out protection. When the flaps open and no person pass through, the system will automatically close after fixed time passes.

During power failure, flaps will automatically retract and allowing free pass through. Automatically close back after power supply recover



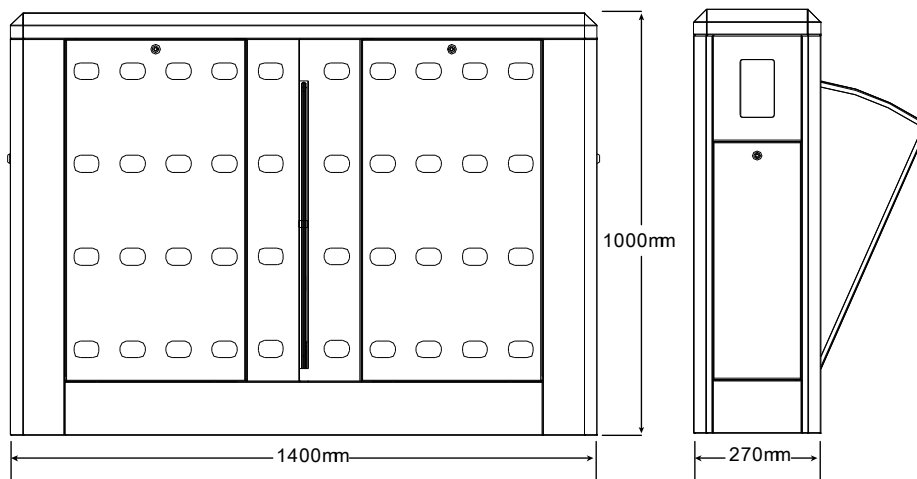
Pedestrian flow directions can be single or double directions. Available for two-way traffic lights, which can prompt the state pass or no-entry.

LED indicator function. Traffic lights on both sides of the flap barrier are the indicator of access status, When the traffic lights show green, it means to pass and the red light means no-entry. The traffic lights on both sides can be set to indicate access for left or right or bi-direction.

## Technical specification

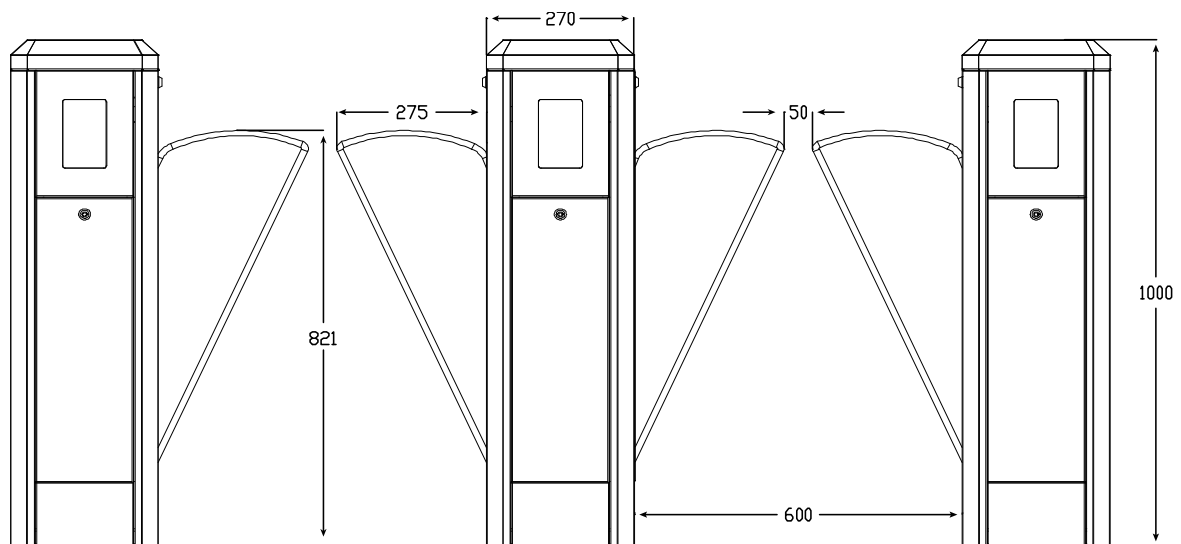
Description	Parameter
Cabinet dimension	1400mm (L)*300mm (W)*1003mm (H)
Stretching-out flap length	275mm
Cabinet material	# 304 stainless steel
Power supply	AC220±15%V 50Hz/ AC110±15%V 60Hz
Motor voltage	DC 12V (brush motor)
Access device input voltage	dry contact or 12V electrical level signal or > 100ms12V impulse signal or driving current > 10mA
Max flow rate	30 to 40 people per minute
Flap opening/closing time	0.5s
Reset time when power on	3s
Working environment	outdoors (with due shelter) and indoors
Working temperature	-25°C 50°C
Relative humidity	≤ 90%

## Dimension Specification

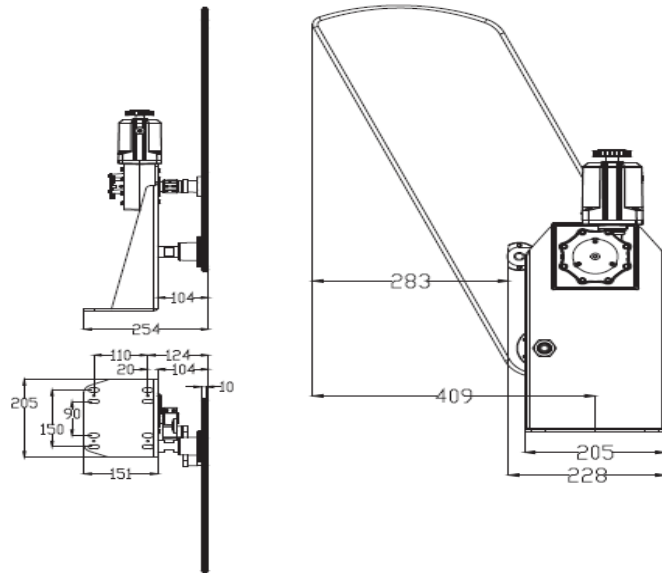


□ Front View

Left View



Side View

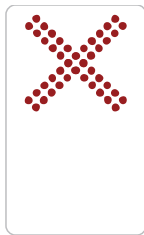


Motor View

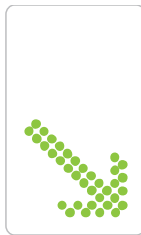
### LED Display Pattern



Direction from Left

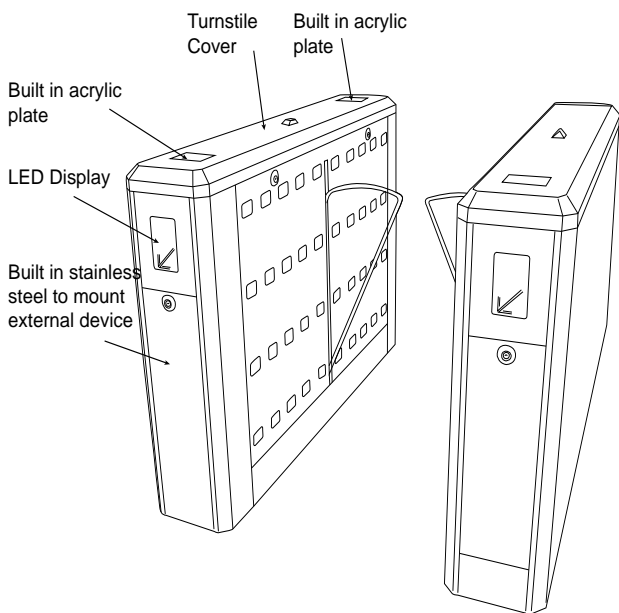


Default

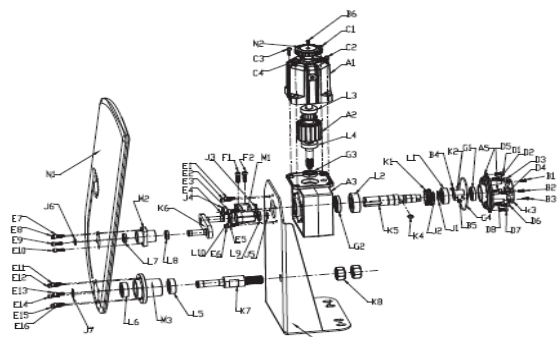


Direction from Right

### Components & parts



Cabinet Part

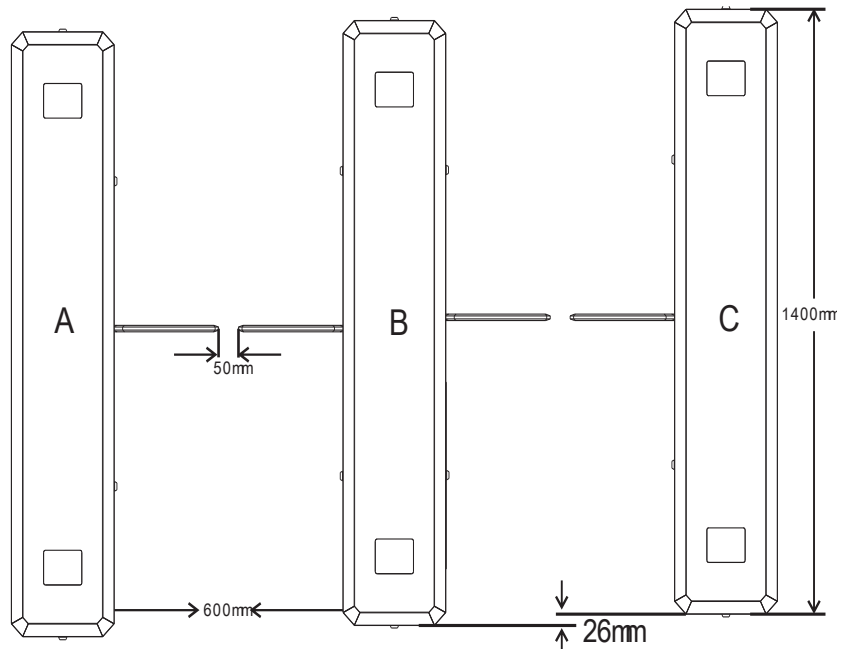


- A1. DC 12V motor spindle
- A2. DC 12V motor rotor
- A3. Gearbox
- A4. Motor bracket
- A5. Gearbox side cover
- (B1-B6) Phillips pan head screws M4X10
- (C1-C4) Hexagon socket head screw M5X16
- (D1-D8) Hexagon socket head screw M6X12
- (E1-E16) Hexagon socket head screw M6X16
- (F1-F2) Hexagon socket head screw M6X22
- (G1) Skeleton oil seal 20X36X7
- (G2) Skeleton oil seal 25X45X7
- (G3) Skeleton oil seal 15X30X7
- (G4) O shape ring 2.65X82
- (J1-J2) External snap ring 20
- (J3-J4) External snap ring 25
- (J5-J6) External snap ring 15
- (J7) External snap ring 16
- (K1) Worm
- (K2) Limit shading device
- (K3) Sensor control board
- (K4) Round flat key
- (K5) Worm shaft
- (K6) Swing arm
- (K7) Gate shaft
- (K8) Hexagon nut
- (L1) Bearing 6004
- (L2) Bearing 6205
- (L3-L4) Bearing 6202
- (L5-L6) Bearing 6203
- (L7-L10) Bearing 6802
- (M1) Active Crank
- (M2) Swing arm bearing
- (M3) Gate bearing
- (N1) Gate
- (N2) Clutch handwheel

Motor Part

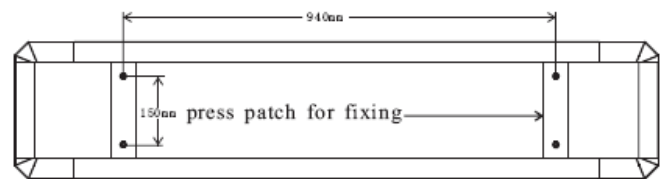
## Top View Installation

For this installation, please refer to the below figure to make sure the separate flaps in the same line. Cabinet A must deviate 26mm in terms of the cabinet B spot, and cabinet C must deviate 26mm in terms of the cabinet B spot.

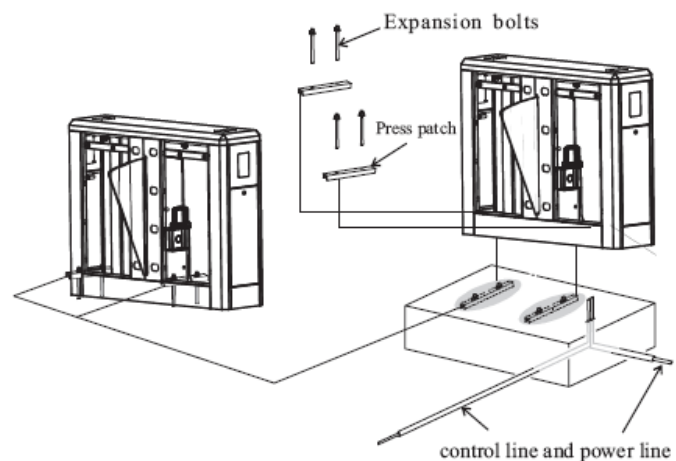


## Base Installation

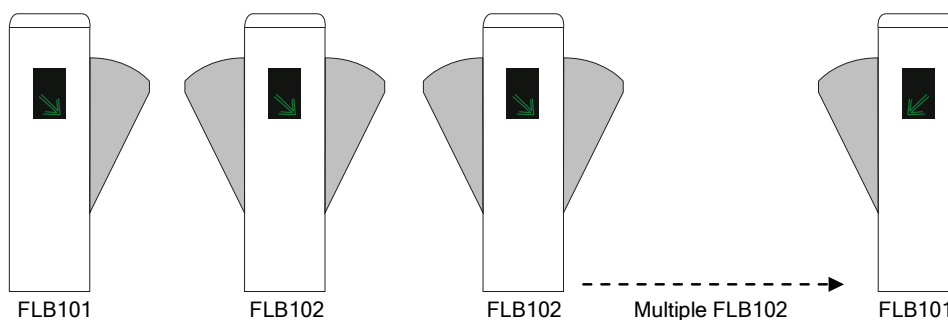
Build mounting base and put the wire tubes for  $3 \times 1.5 \text{ mm}^2$  for single-phase power line and  $8 \times 0.5 \text{ mm}^2$  for controlling line; Please refer to the diagram beside: use 8 expansion bolts to fix the flap barrier to the base. Then connect the power line and place the control lines to the control case. Connect the Master and the Slave with control line in numerical order



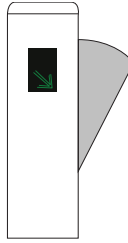
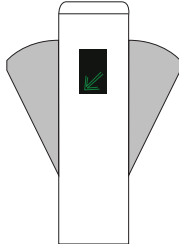
Base installing dimension



## Typical installation for Multiple Lane



## Ordering info

Model	Description	Diagram
FLB101	Flap Gate with Single Wing	
FLB102	Flap Gate with Double Wing	

Authorized dealer:

### Disclaimers

Applications that are described herein for any of these products are for illustrative purposes only. Drawing does not necessary reflect exact assembly/installation. MAG makes no representation or warranty that such applications will be suitable for the specified use without further testing or modification.

MAG reserves the right to make changes, without notice, in the products, including circuits, standard cells, and/or software, described or contained herein in order to improve design and/or performance. MAG assumes no responsibility or liability for the use of any of these products, conveys no license or title under any patent, copyright, or masks work right to these products, and makes no representations or warranties that these products are free from patent, copyright, or mask work right infringement, unless otherwise specified.

© MAG. All rights reserved. Date released: 18 June 2012