

TTS713 FULL HEIGHT TURNSTILE SEMI AUTO, STAINLESS STEEL



Date: 22 October 2015

General Description

MAG TTS713 semi auto stainless steel full-height turnstile can achieve maximum access security control. Users are not able to crawl underneath or climb over to gain unauthorized access into premise. Full height turnstile can effective control single pass through each time.

Semi auto turnstile operation is based on solenoid lock that allows blocking rotation direction.

TTS713 is built with high quality material to withstand outdoor usage for years to come.

Application

MAG TTS713 is suitable for indoor and outdoor application. They are optimized economical solution for factory, colleges, commercial building, stadium, game park, prison and etc.

Features

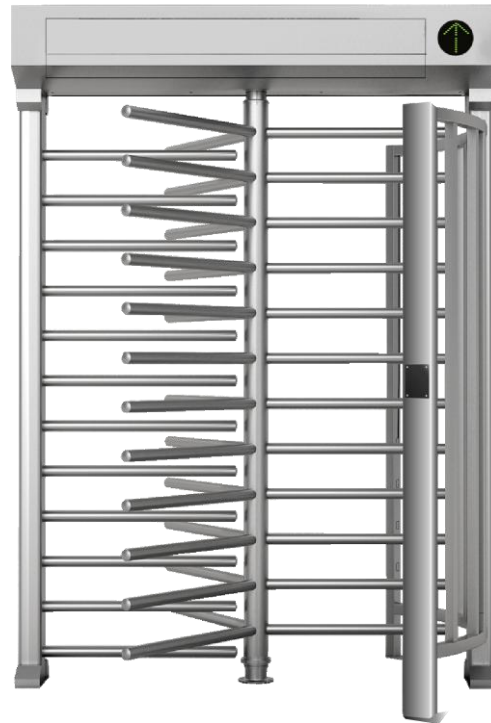
The housing is made of quality stainless steel, and all the internal parts are with antirust and antiseptic treatment to achieve high level of durability.

Turnstile can be configured to be bi-directional or uni-directional.

Easy integration with any third party access control or ticketing via dry contact interface. TTS713 will unlock and allow arm rotation upon receiving valid dry contact from electronic access system.

If arm is rotated more than half, it will automatically fall forward to complete the rotation. If arm is rotated less than half, it will automatically fall backward to return to home position. This will avoid arm does not stop halfway that may allow unauthorized access.

When the arm is locked, it will be able to sustain resistant force 70kg to restrain from unauthorized force open attempt.



Anti-tailgating. Smart lock mechanism uses limit switch to detect rotation and effectively re-lock back after arm has been rotated more than half. Therefore current user can only finish the rotation to pass through or reverse the rotation to exit. Either way, it will not allow second person to pass through again.

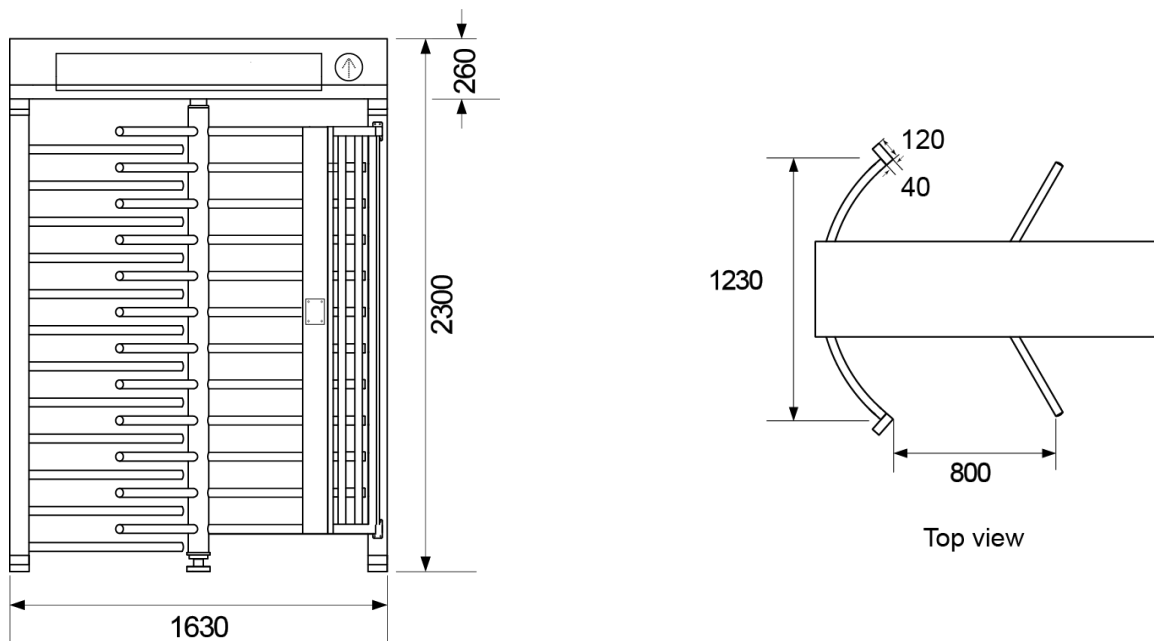
During power failure the system will unlock the arms. User can manually push the arms for free passage. This allows convenient evacuation of people inside the premise.

Memory function. Memory will record the sequence of passing (same or opposite direction). Passing request will be executed according to the sequence recorded.

Technical Parameters

Power and Voltage	AC 220V
Machinery mechanism	MTHT™ Lossless mechanism
Communication interface	Dry contact / RS485 / RS232
Passing speed	20 ~ 30people / min
Operation Temperature	-15°C ~ 60°C
Operation voltage	DC 24V
Rated power	30W(normally open)
Working environment	Indoors/outdoors
Humidity temperature	0 ~ 95% (non- condensation)
Operation times	≥5 million times

Dimension



Structure Parameter

Housing material:	304 grade stainless steel
Housing dimension:	1630×1230×2300 (mm)
Surface treatment:	brushed finish
Arm's material:	304 grade stainless steel
Lane width:	800mm (default)
Arm's OD:	38 mm (default) 48 mm (max)

Disclaimers

Applications that are described herein for any of these products are for illustrative purposes only. Drawing does not necessary reflect exact assembly/installation. MAG makes no representation or warranty that such applications will be suitable for the specified use without further testing or modification.

MAG reserves the right to make changes, without notice, in the products, including circuits, standard cells, and/or software, described or contained herein in order to improve design and/or performance. MAG assumes no responsibility or liability for the use of any of these products, conveys no license or title under any patent, copyright, or masks work right to these products, and makes no representations or warranties that these products are free from patent, copyright, or mask work right infringement, unless otherwise specified.

© MAG. All rights reserved.
Date released: 22 Oct 2015